



Level Measurement Radar 26GHz ACTRD-2400

Level measurement under certain pressure
temperature limit and easy process condition

GENERAL

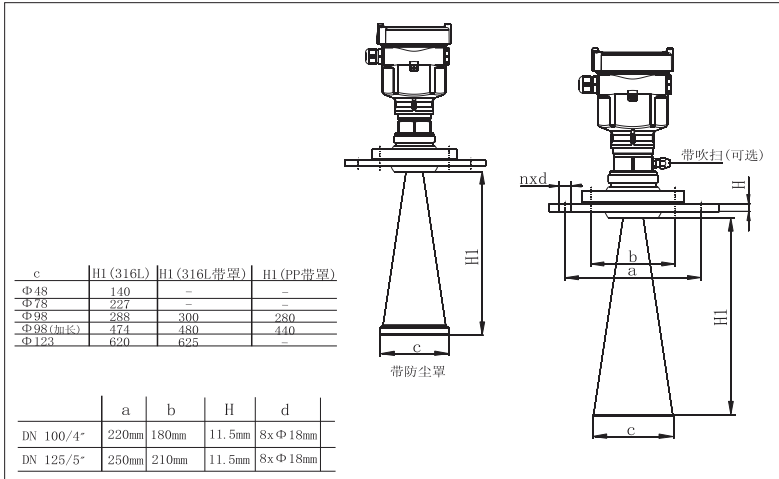
The extremely narrow microwave pulse emitted by the antenna on radar level instrument can travel at the speed of light and part of its energy, which is reflected off the surface of target medium, is received by the very same antenna. The time lapse between pulse emission and reception by the antenna is proportional to the distance between the surface of target medium and the reference point on antenna. However, due to the fact that the electromagnetic wave is transmitted at extremely high speed, which leads to the tiny time lapse (nanosecond level) and makes it difficult to be identified, ACTRD series of radar level instrument have adopted a special demodulation technology, enabling itself to detect the time lapse between pulse emission and reception correctly, and eventually generate accurate measurement result.



SPECIFICATION

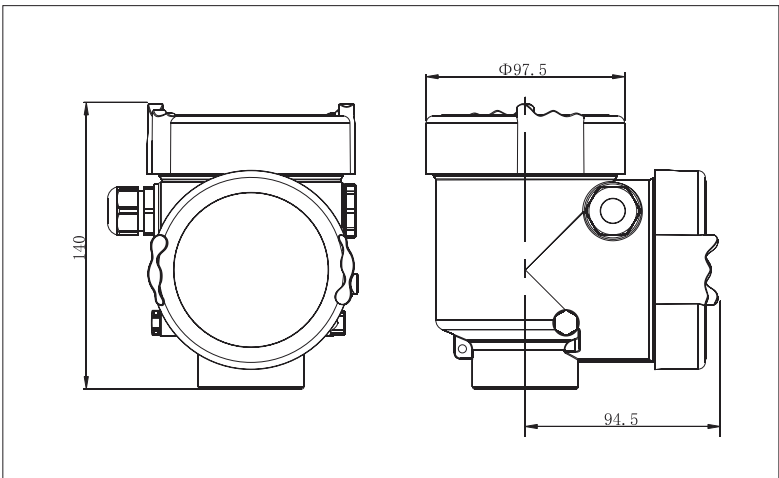
- Measurement Range : 0-70m
- Measurement Accuracy : 15 mm
- Process Temperature : -40~150 C°/-40~200 C°/
-60~250 C°/-60~400 C°
- Process Pressure : -1.0~40 bar
- Signal Output : 4-20mA(DC24V)/HART(2-Wire)
4-20mA(22.8~26.4VDC)/HART(4-Wire)
4-20mA(198~242VAC)/HART(4-Wire)
- Effective Beam Angle : Horn Ø 48mm-18°, Horn Ø 78mm-10°
Horn, Ø 98mm-8°, Horn Ø 123mm-6°
- Antenna Material : Stainless Steel 316L/PTFE
Stainless Steel 316L-(Extension)/PTFE
Stainless Steel 316L-(Extension)/PTFE-(Dustproof)
Polypropylene/PTFE-(Dustproof)
Polypropylene-(Extension)/PTFE-(Dustproof)
- Housing/Protection : Plastic/IP66
Aluminium/IP67
Aluminium(two Chamber)/IP67
Stainless steel 316L/IP67
- Process Connection : Threaded Version G1-1/2A, 1-1/2NPT,
Flange DN50, DN80, DN100, DN125 and Special Specification
- Approval : Standard(without Approval)
Intrinsically Safe(Exia IIC T6)
Intrinsically Safe+Ship Approval(Exia IIC T6)
Intrinsically Safe+Flameproof Approval(Exia IIC T6)

Dimensional Specifications



A/B/D Type:Housing

Material :PBT/Aluminium/316L



C Type:Aluminium(two chamber)

