



ULTRASONIC LEVEL MONITOR

LU400/LU800/LU1500 Series

GENERAL

LU400/800/1500 ultrasonic level monitor is a small but high-cost-performance level monitor in use of ultra sound. It has a compact and clean body made of polypropylene. It is suitable for the level management of pure water and/or chemical substances. 4 to 20 mA DC current/Hart output, two alarm output for high and low level detection. LU400/800/1500 enables you simple and easy level monitoring and controlling.

FEATURES

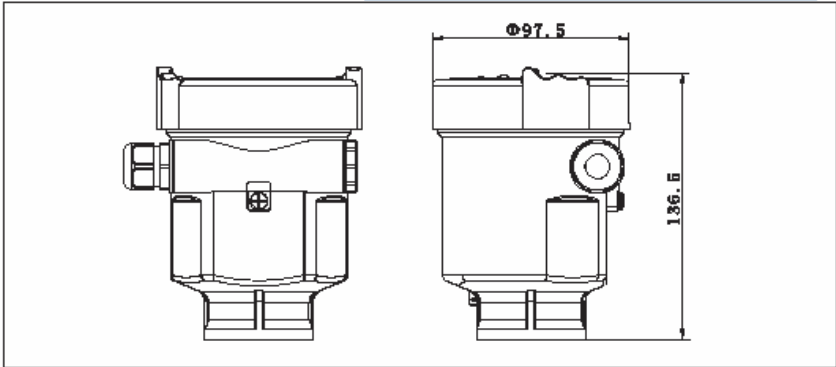
- Low cost, small, light and compact.
- Simple and clean construction made of polypropylene.
- Suitable for semi-conductor process and food industries which re-quire non-contact level measurement of water, pure water and chemical substances.
- Superb for remote level control by 4 to 20 mA DC output and HART output.
- Shows level and parameters by LCD display for monitoring and data setting using key-switches.



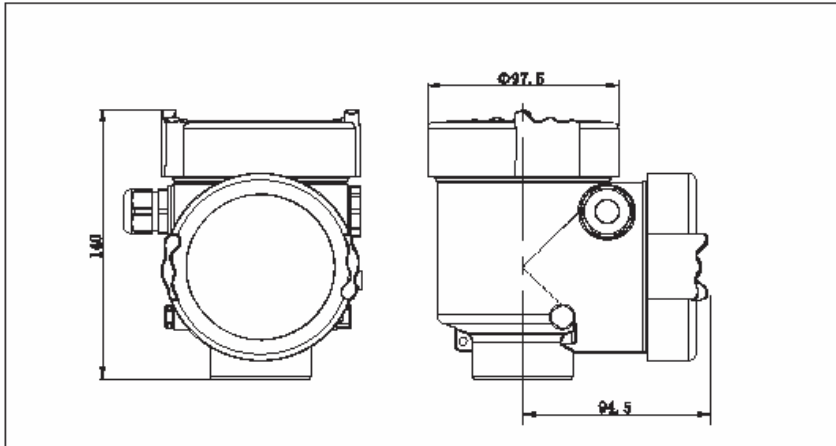
SPECIFICATION

● Measuring range	4.0 m Max(LU400)8.0 m Max(LU800) 15.0 m Max(LU1500)	● Output function	Level signa	4 to 20mA DC / HART Max. load resistanc: 500 W Resolutio: ±0.1mA
● Minimum output range	0.2 m	● Maximum Transmission	3000M	
● Blocking distance	0.2m(LU400)0.3(LU800) 0.5m(LU-1500)	● Supply voltage	12 to 36V DC	
● Ultrasonic frequency	46 kH(LU400) 35 kH(LU800)(LU1500)	● Power consumption	approx. 3W	
● Beam angl	5° (Half angle)	● Ambient Temperature	-20 to +70 C° (Temperature Compensation Fully Compensated)	
● Indication (Inside cover)	LCD 3*16 indication	● Pressure	-0.2...3bar	
Level indication		● Storage temperature	-30 to +80 C°	
Indication unit	mm,cm,m	● Material	Body Housing	PP/PTFE PBT / Almunium
Parameter indication	change with key - switches	● Installation Thread	G1-1/2A/G2A thread	
● Measuring accuracy		● Enclosur	IP67	
Indication accuracy	±0.2% of max. measuring range or 1 mm	● Memory back up	EEPROM (for set parameters)	
● Resolution Display	1mm (whichever is the larger)	● Lnteg ration time	0-99sec,Adjustable	
● Setting (free setting with key - switches inside the body)	High and low alarm level Current output level range Number of sampling data Other display units selectable			
● Approval : Standard(without Approval)	Intrinsically Safe(Exia IIC T6) Intrinsically Safe+Ship Approval(Exia IIC T6) Intrinsically Safe+Flameproof Approval(Exia IIC T6)			

Dimensional Specifications

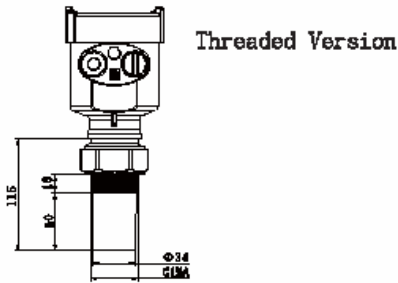


A/B Type:Housing
Material :PBT/Aluminium/316L



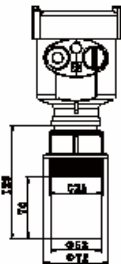
I Type:Aluminium(two chamber)

LU400

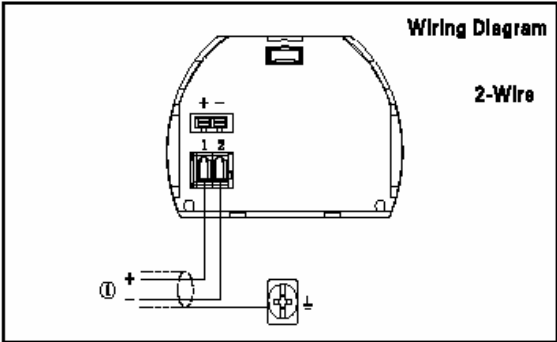
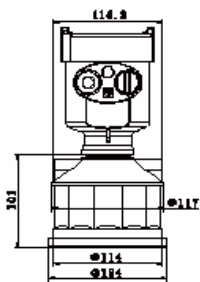


Threaded Version

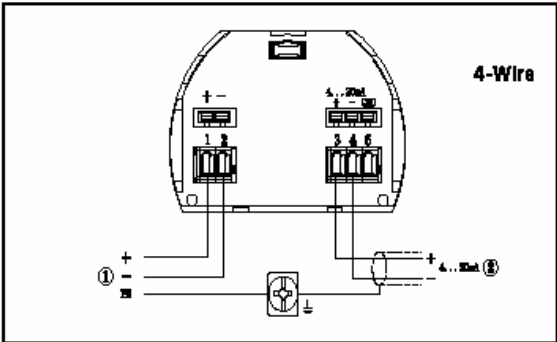
LU800



LU1500



2-Wire Wiring Plan Used for HART
1) Power Supply and Signal Output



4-Wire Wiring Plan Used for HART
1) Power Supply
2) Signal Output